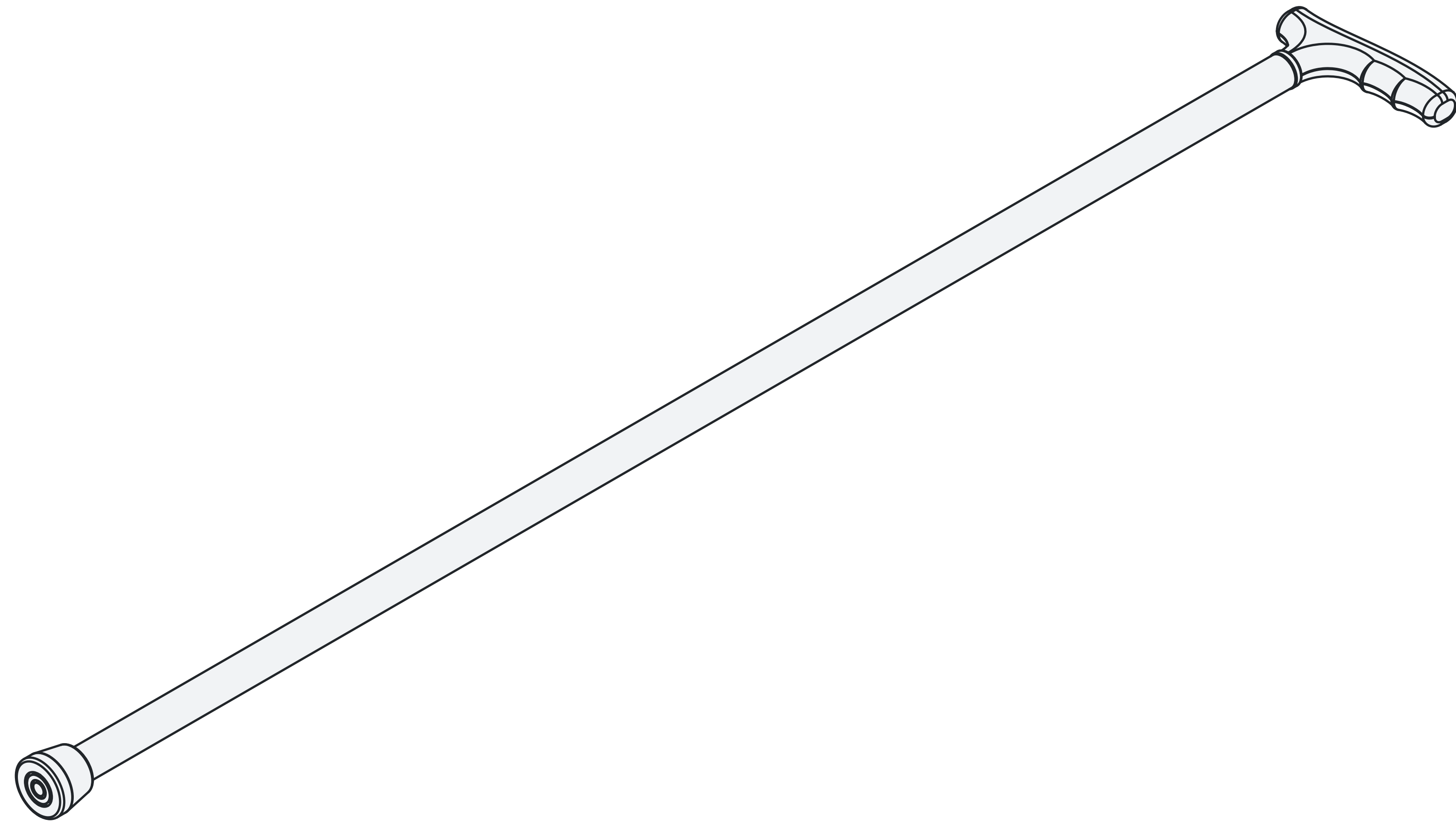


**Ø1.8**



24.4



Ø3.6