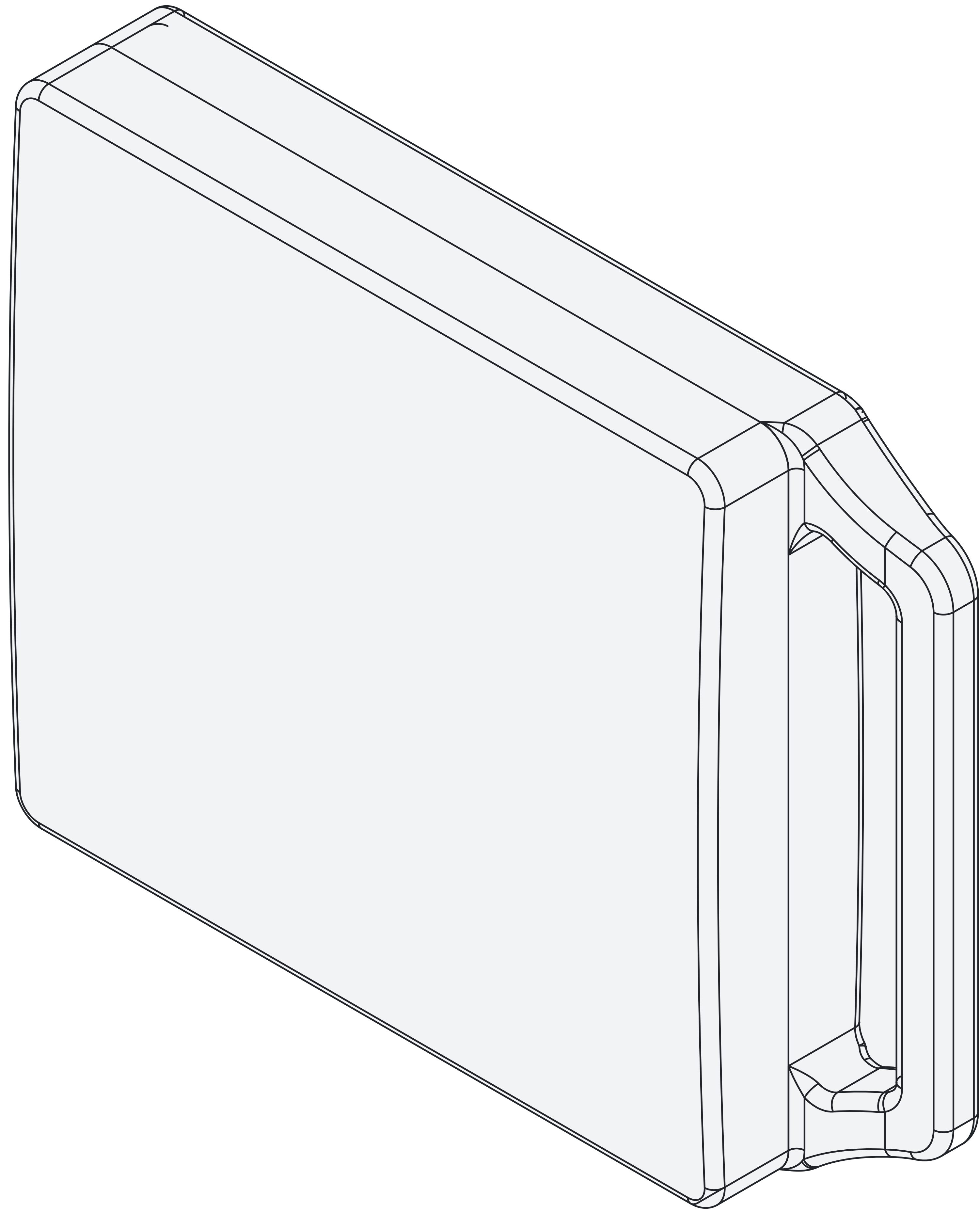




Ø0.0

Ø1.2



36.9729.7

