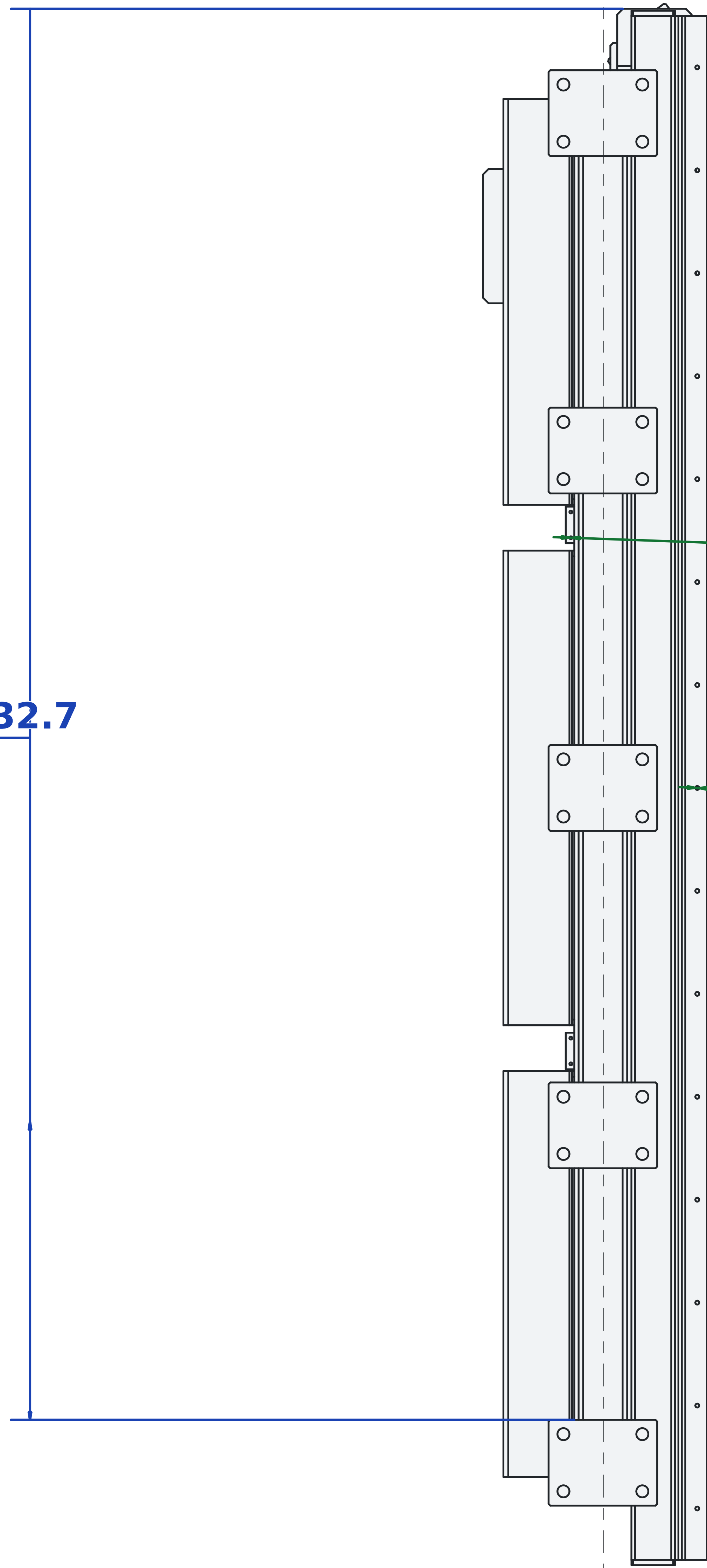


2132.7



Ø4.3

Ø5.9

