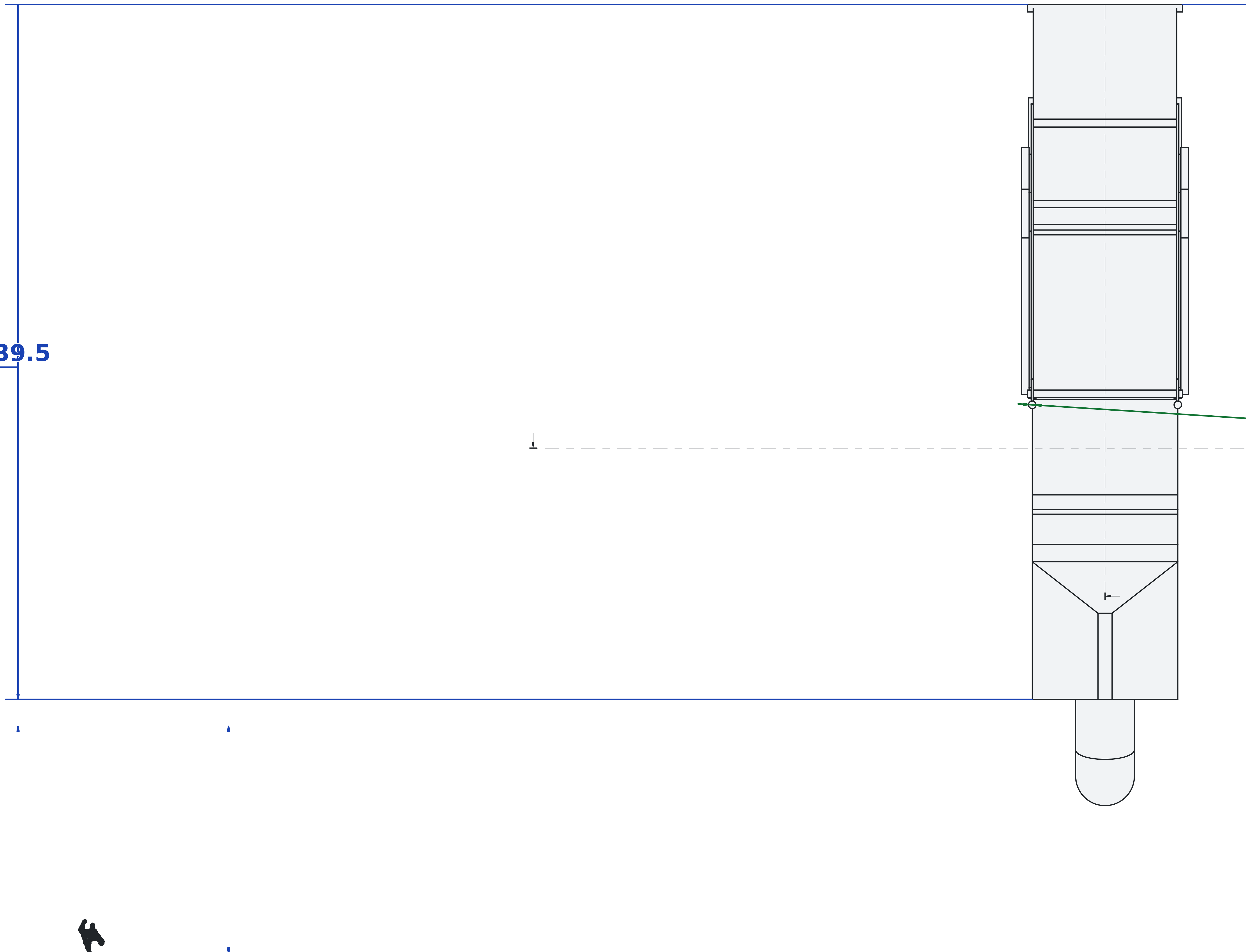
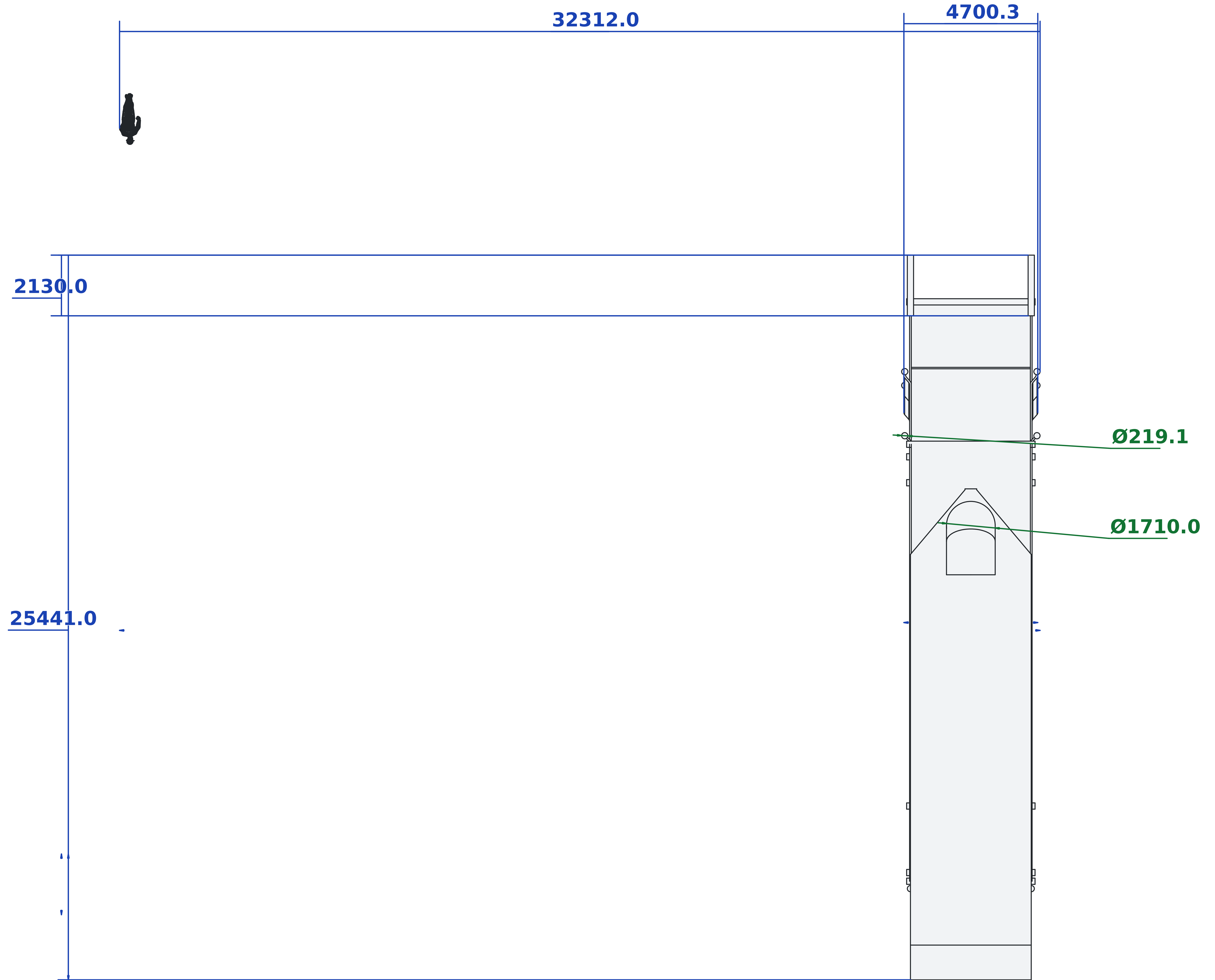


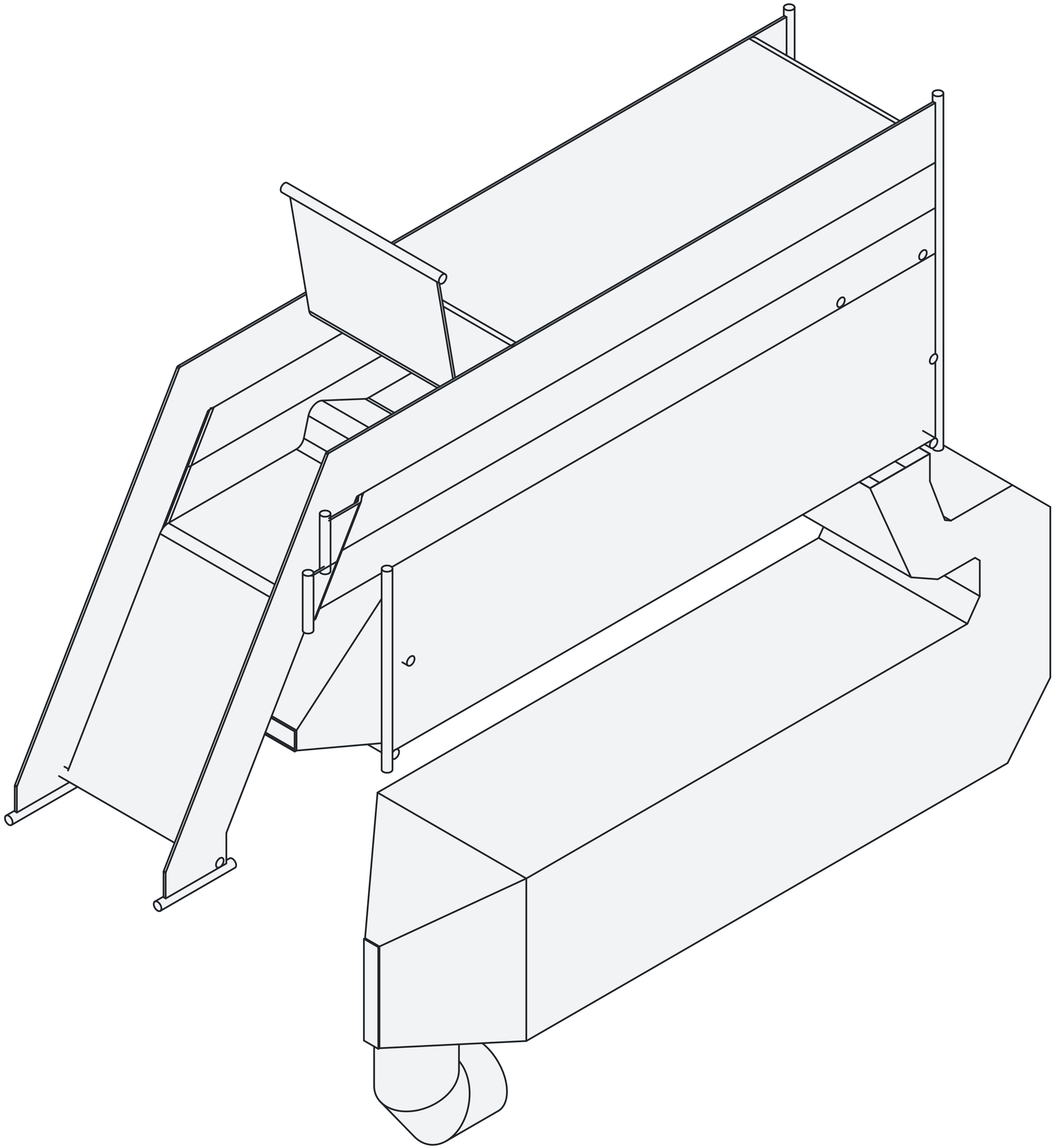
20239.5

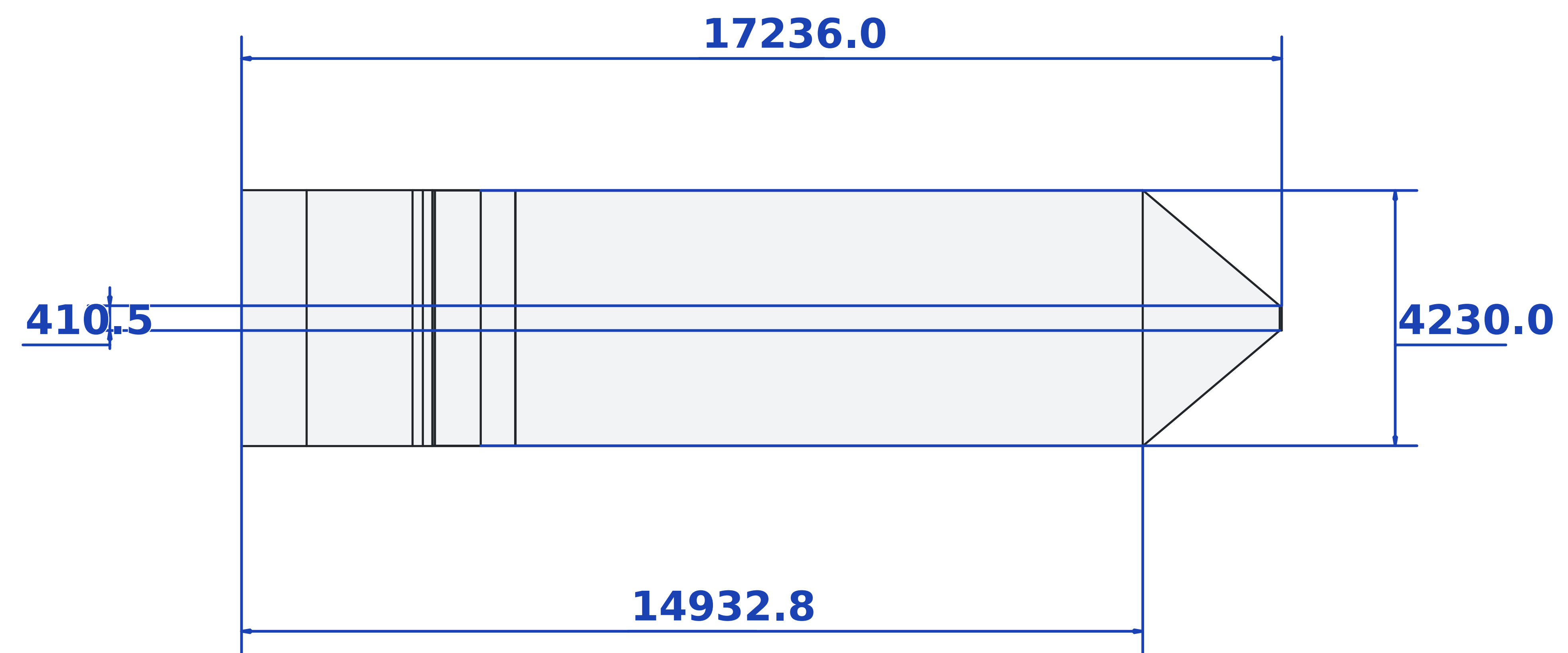


Ø219.1

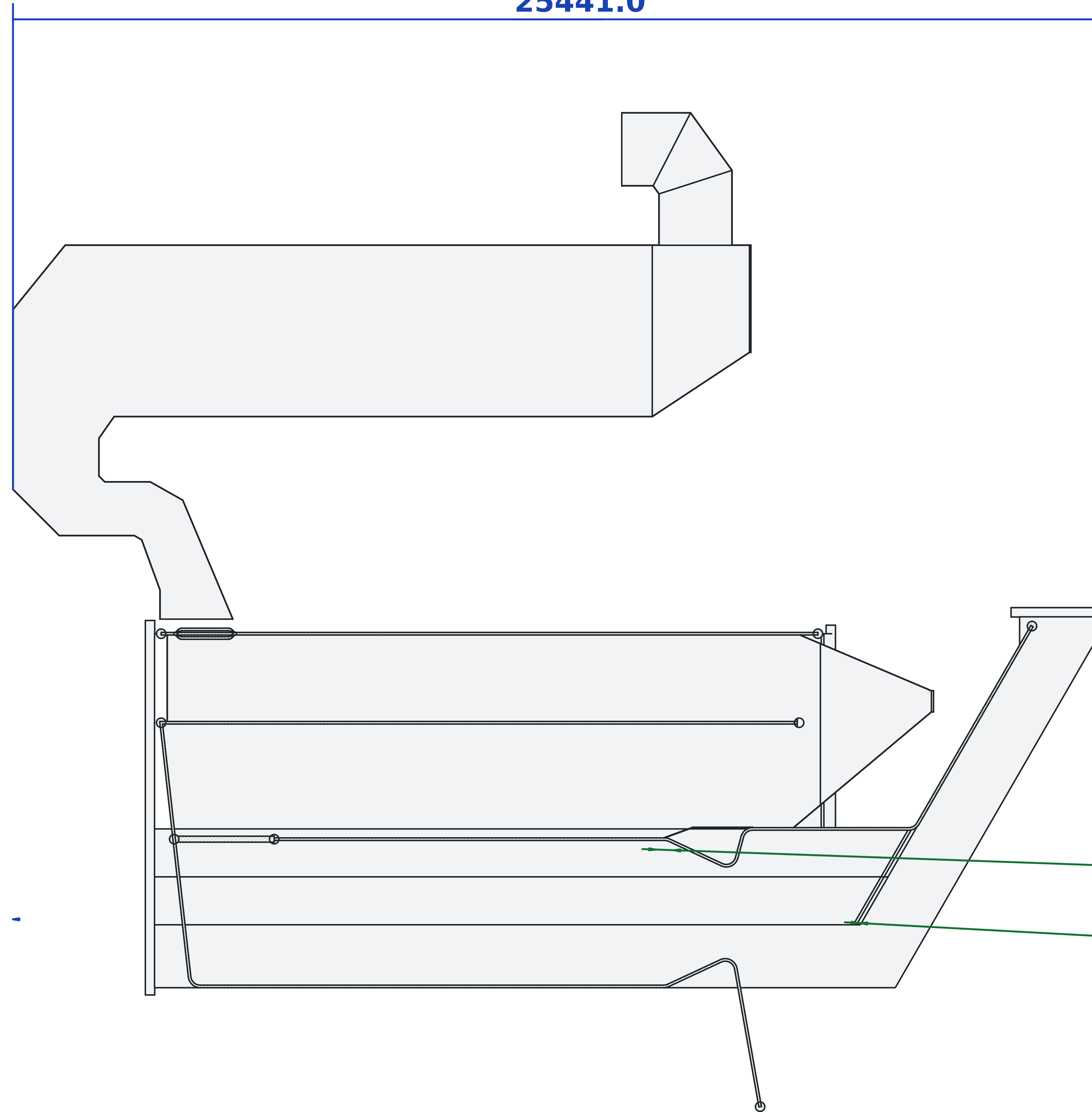
27623.5







25441.0



$\text{Ø}439.7$

$\text{Ø}80.0$