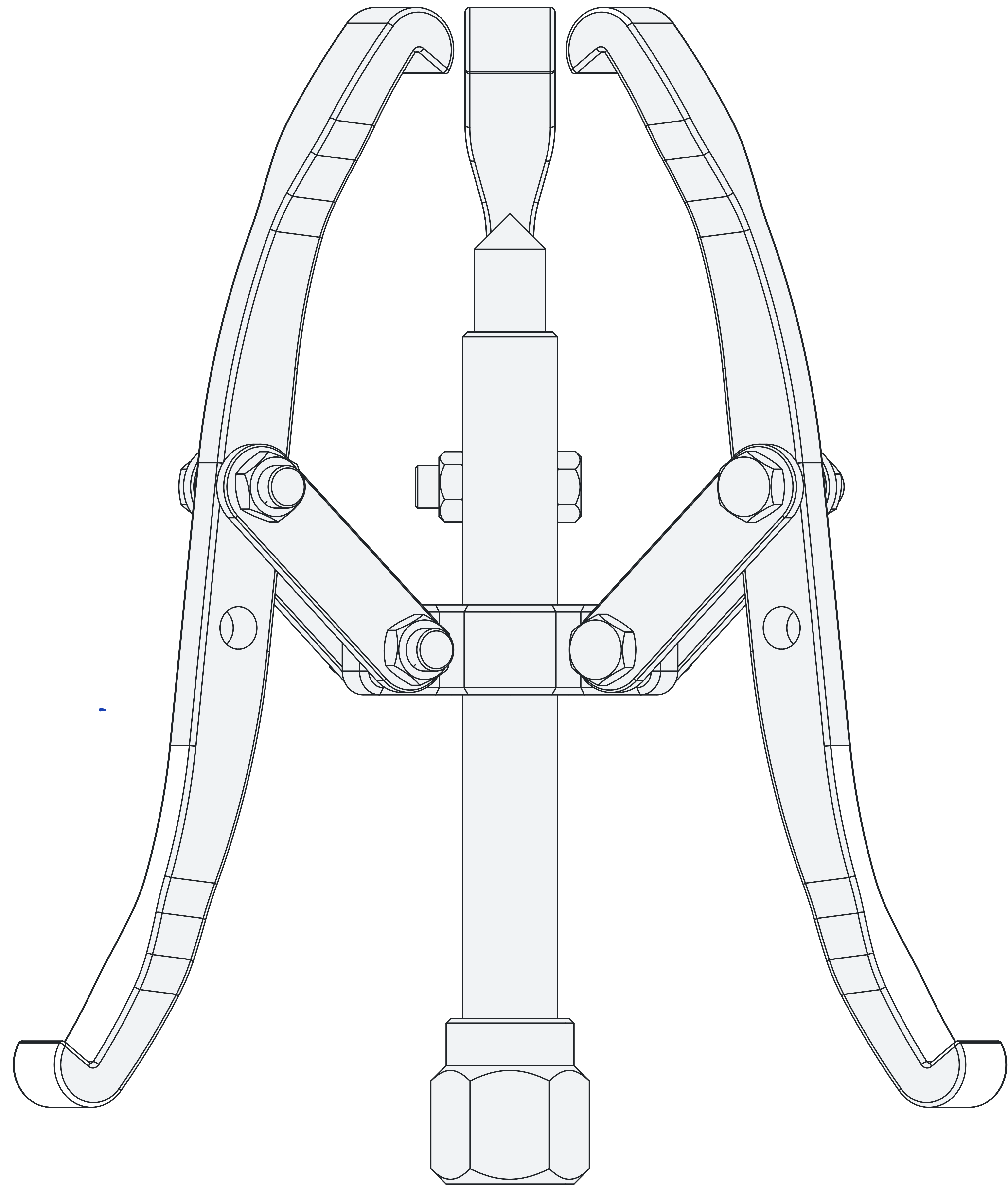
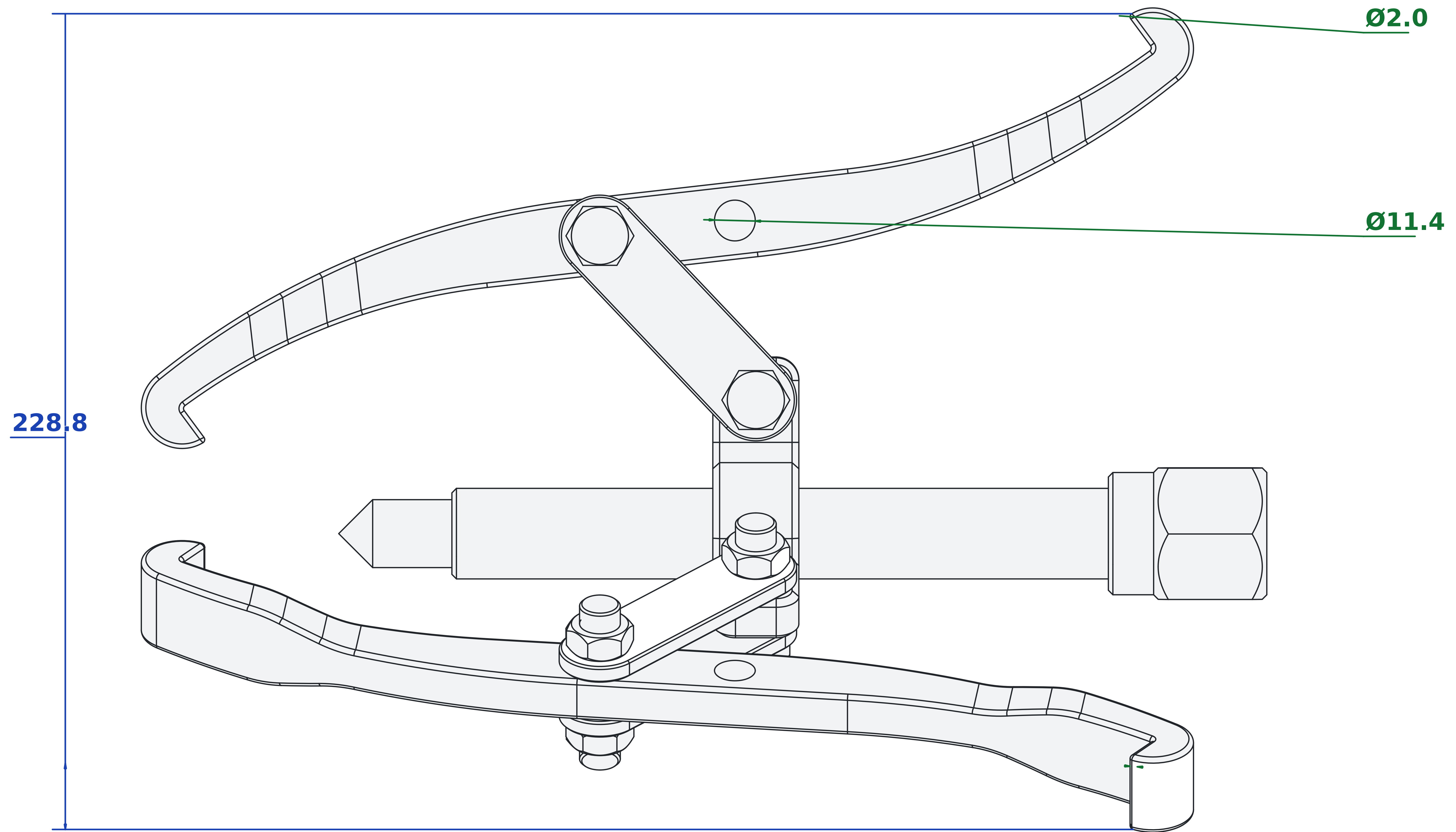
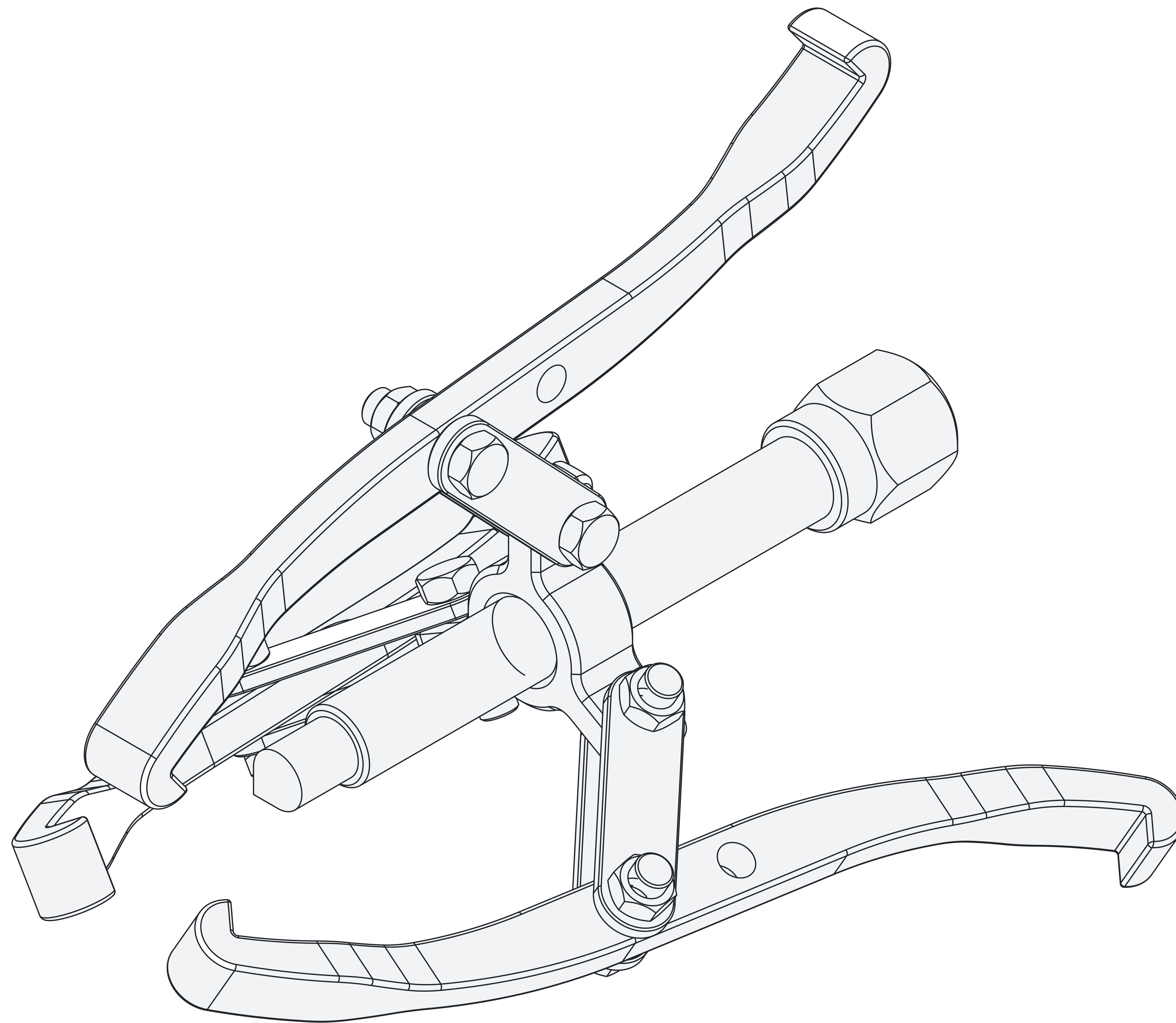
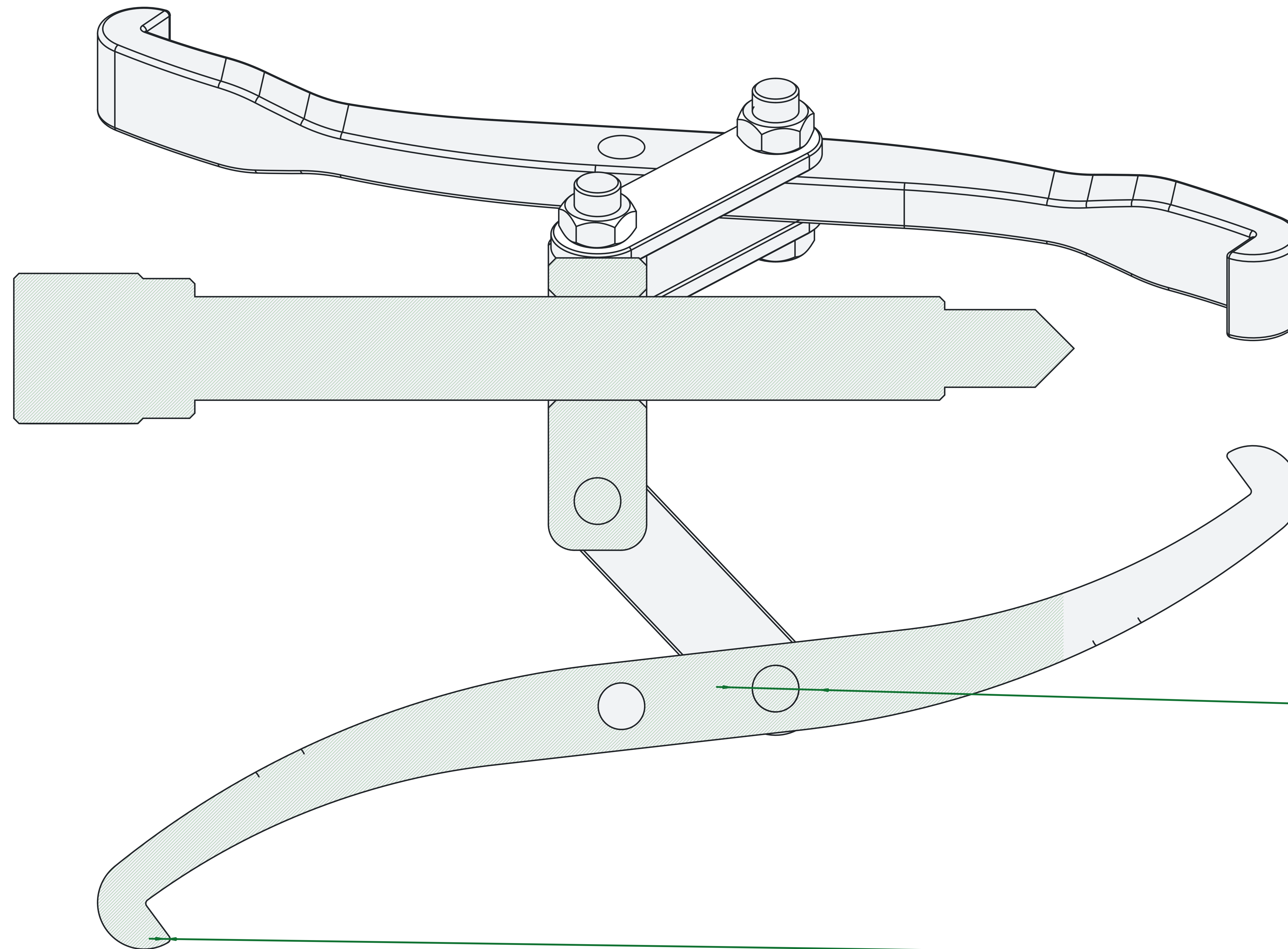


377.8









$\text{Ø}22.9$

$\text{Ø}2.0$