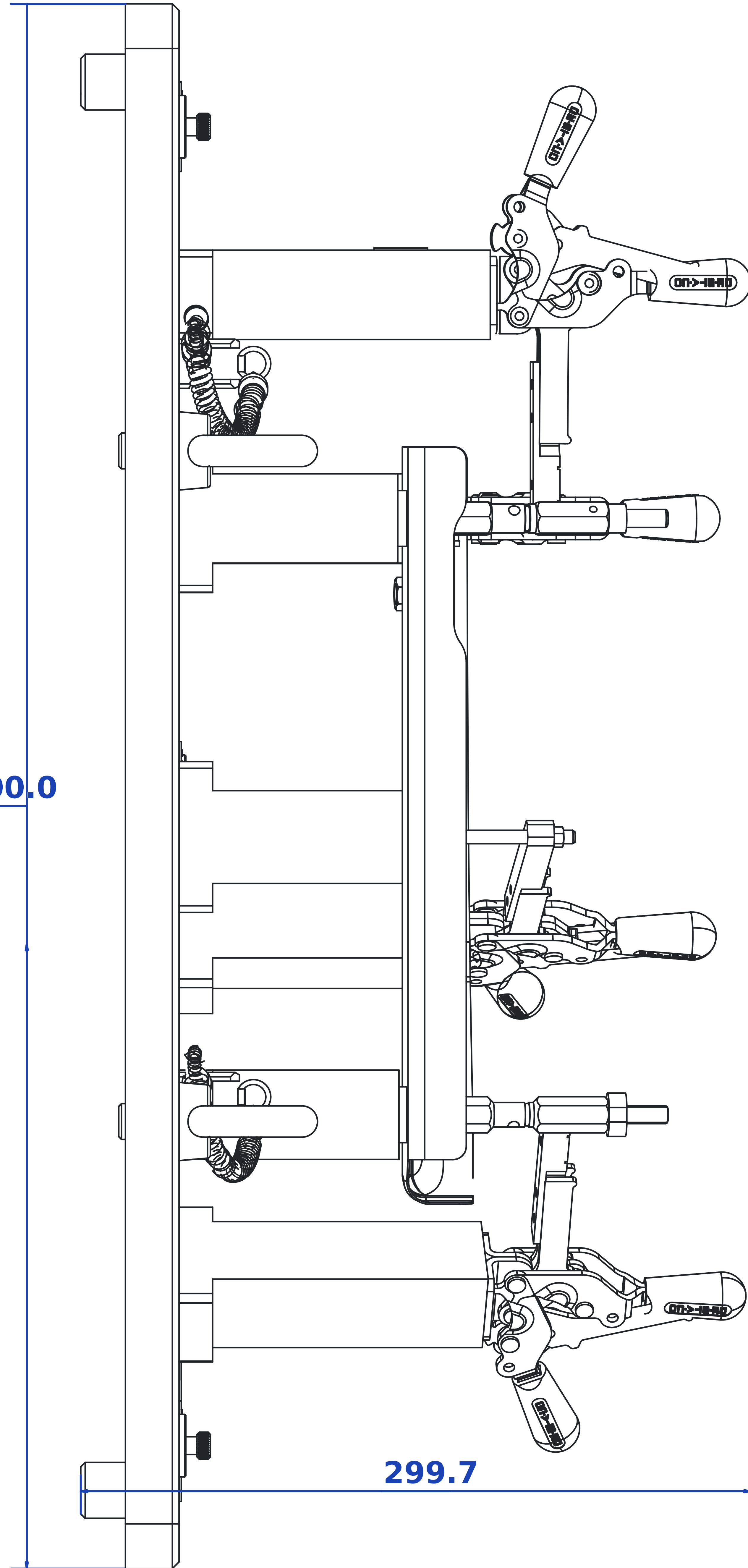
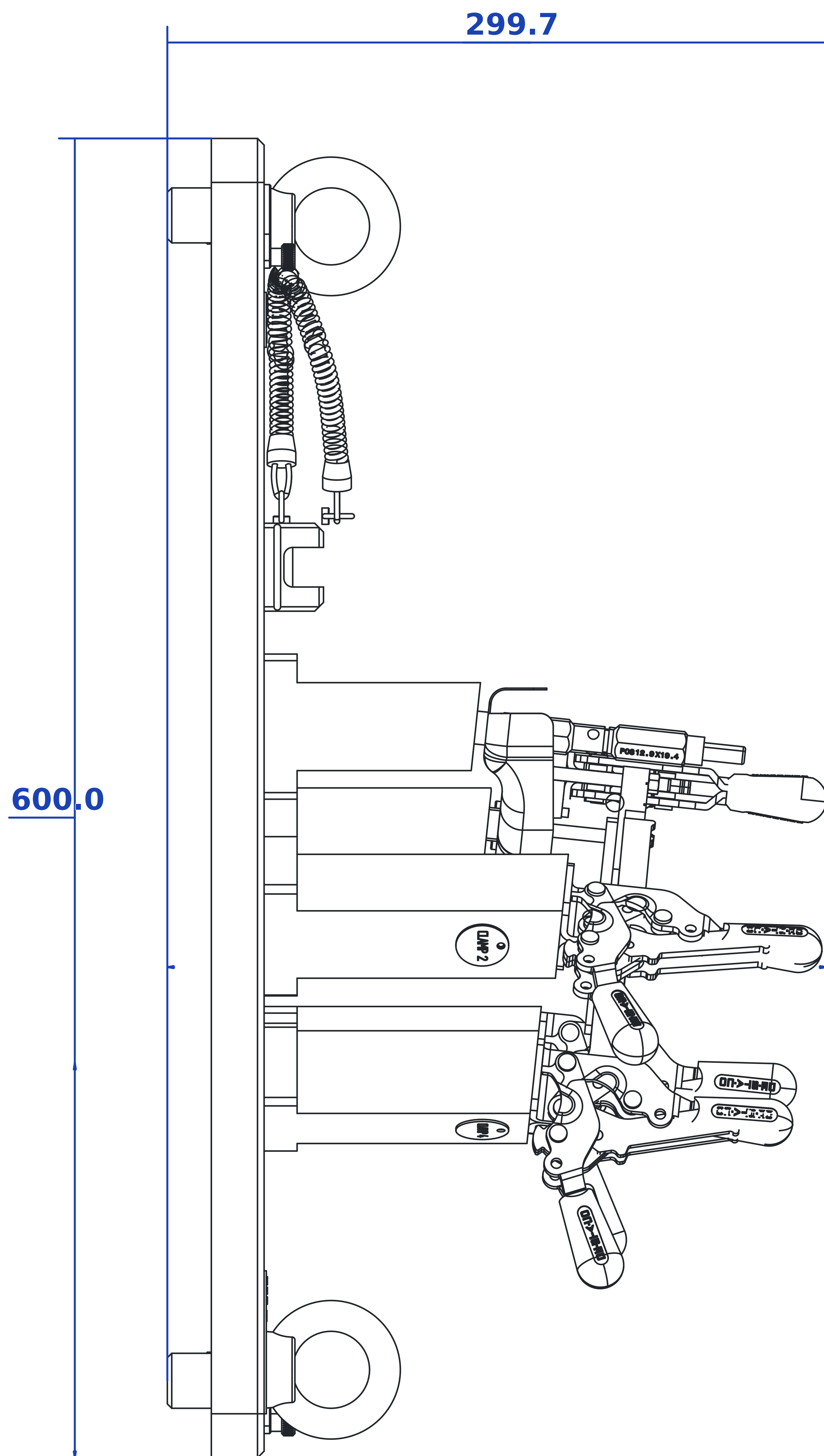
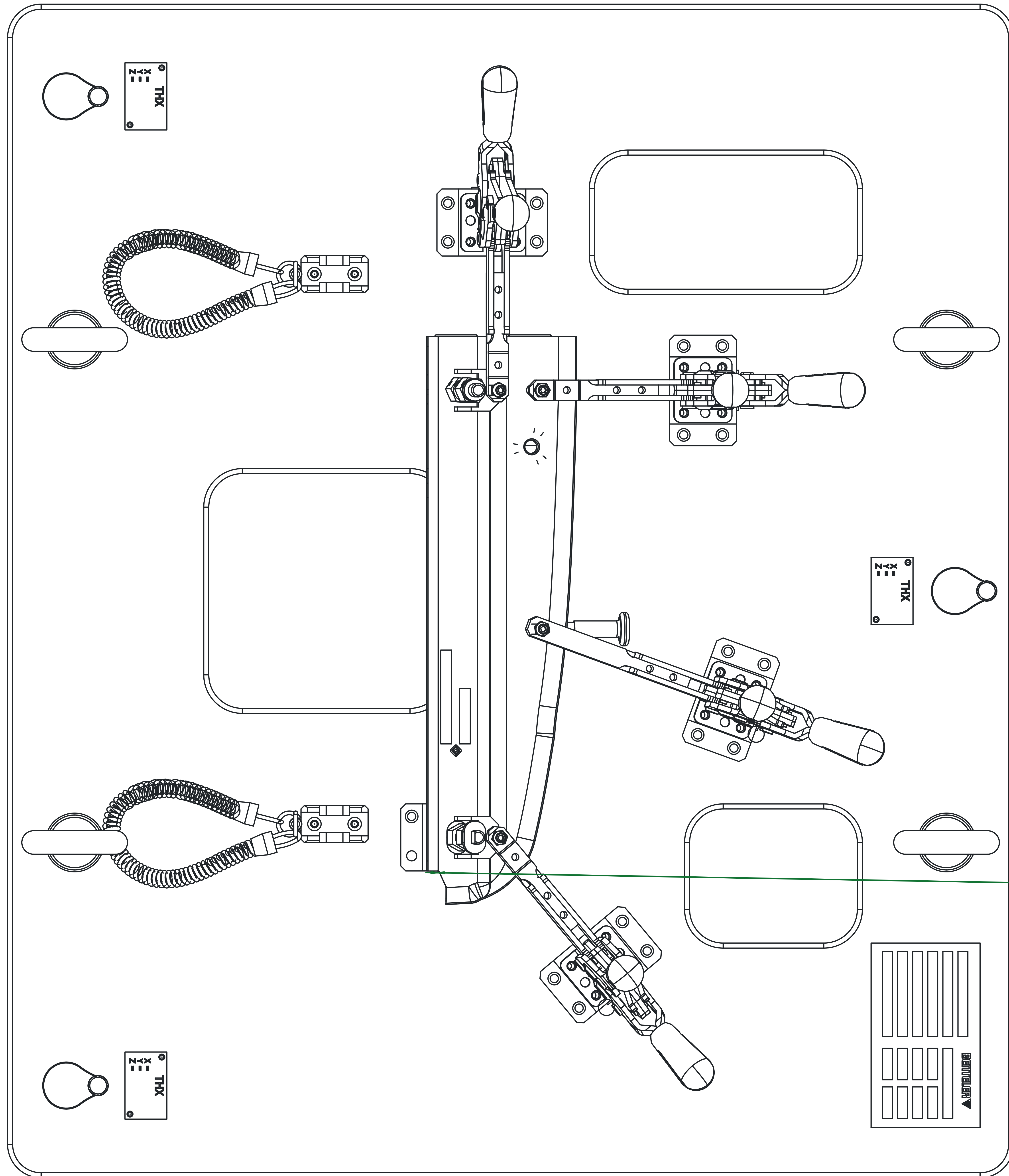


700.0

299.7







Ø2.0

