

116.3

109.7

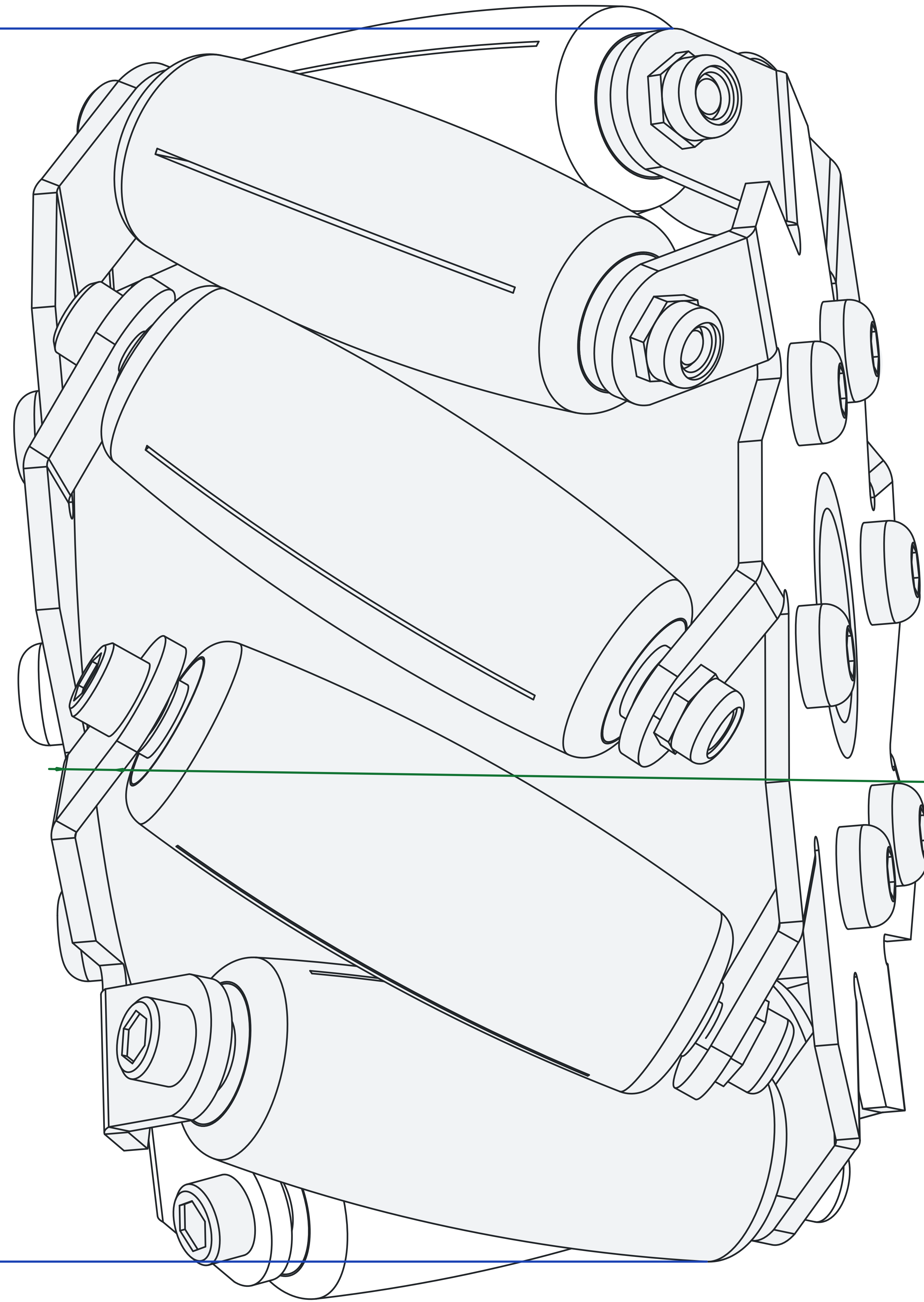
Ø4.3

230.3

Ø6.0

72.1

103.4



Ø4.4

