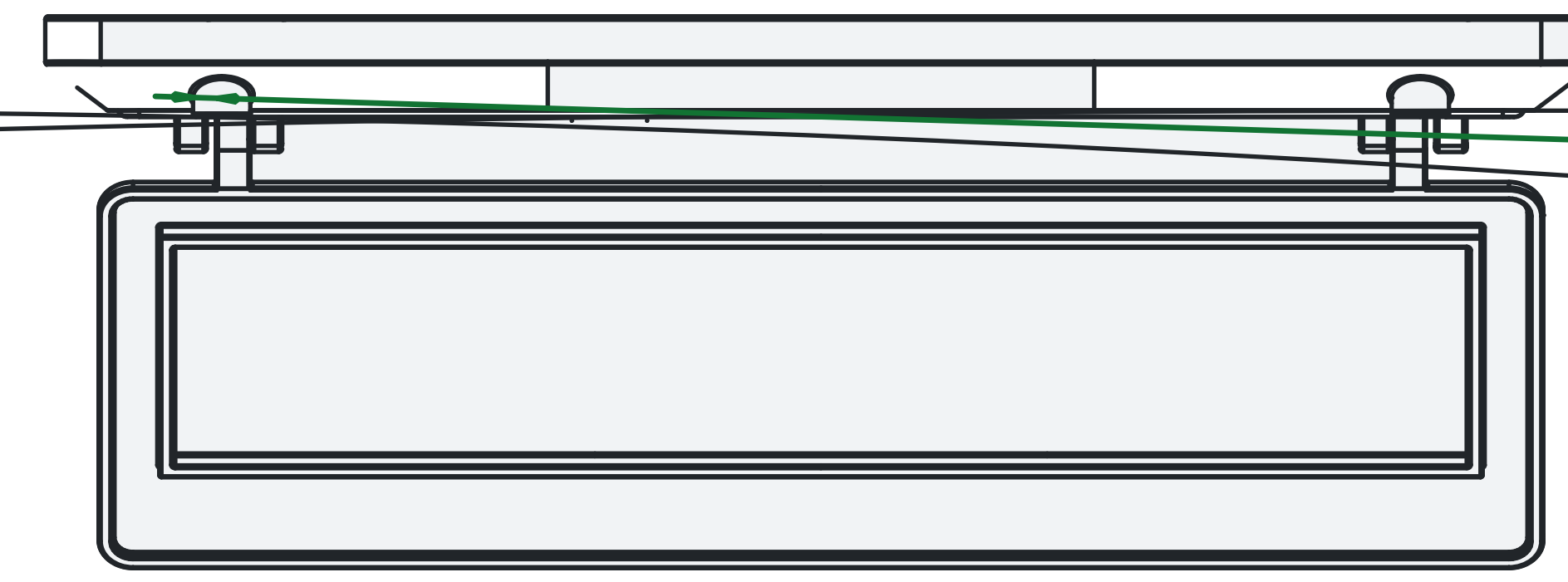
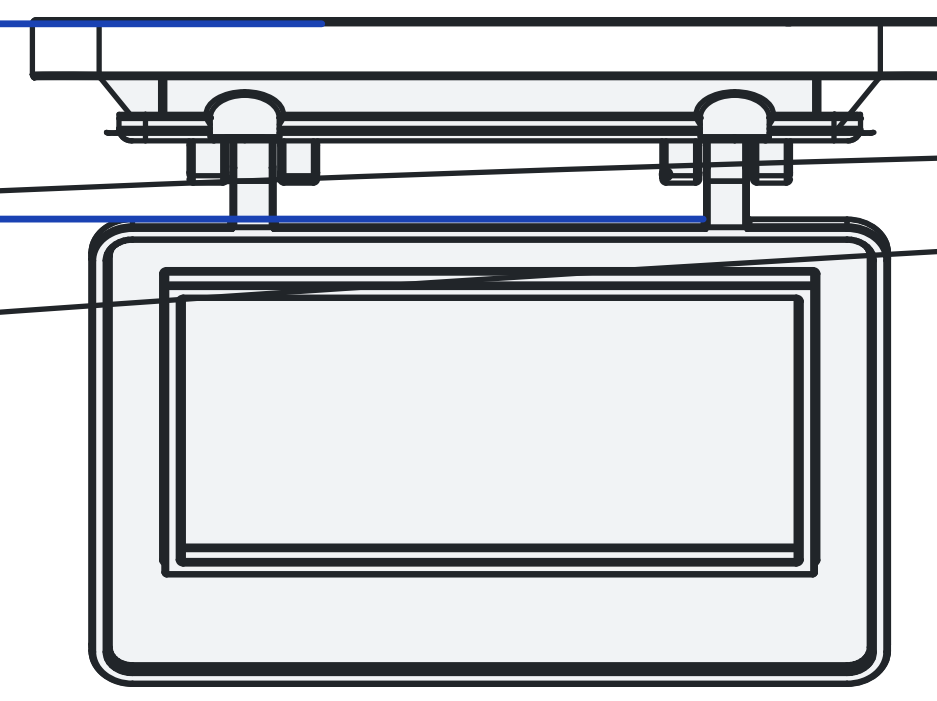


25.8



Ø3.9