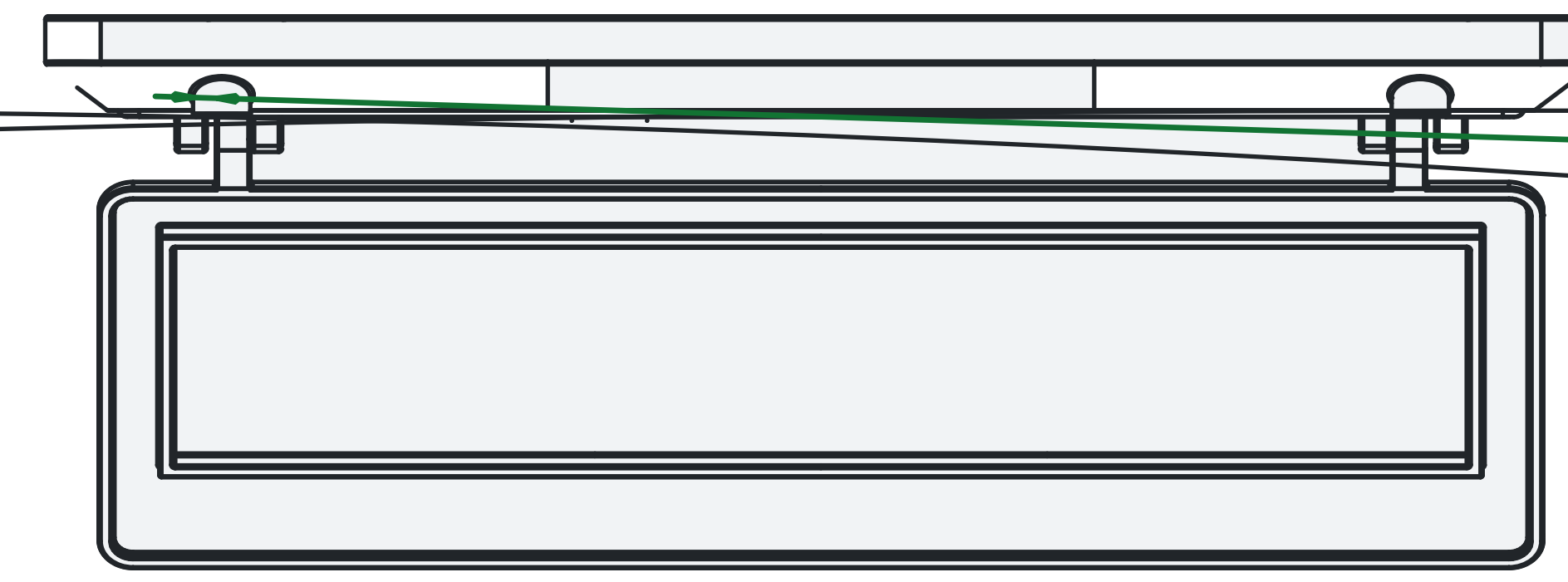
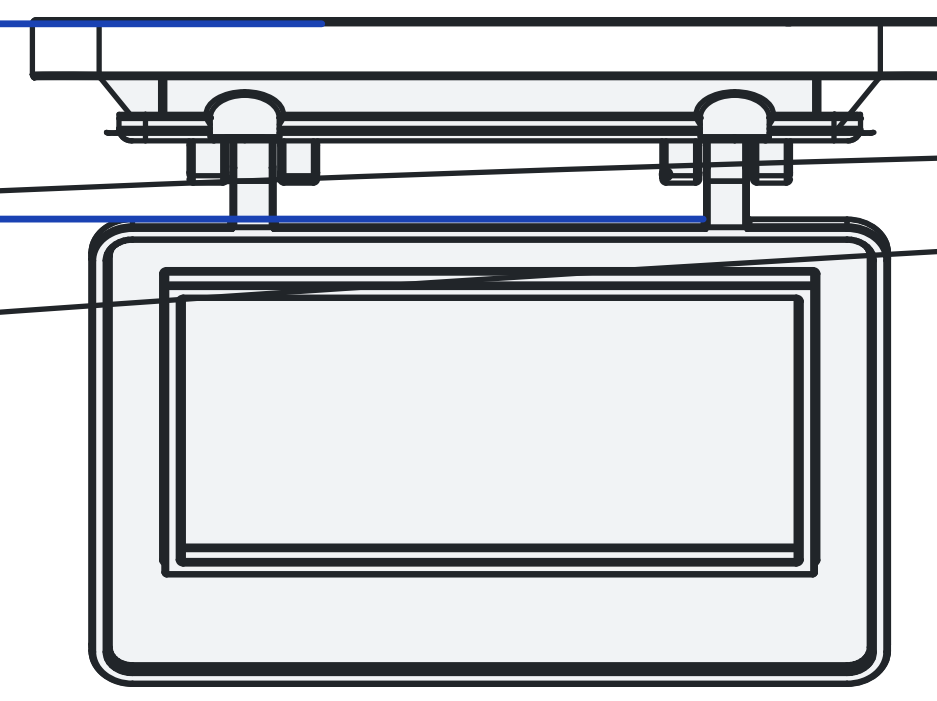
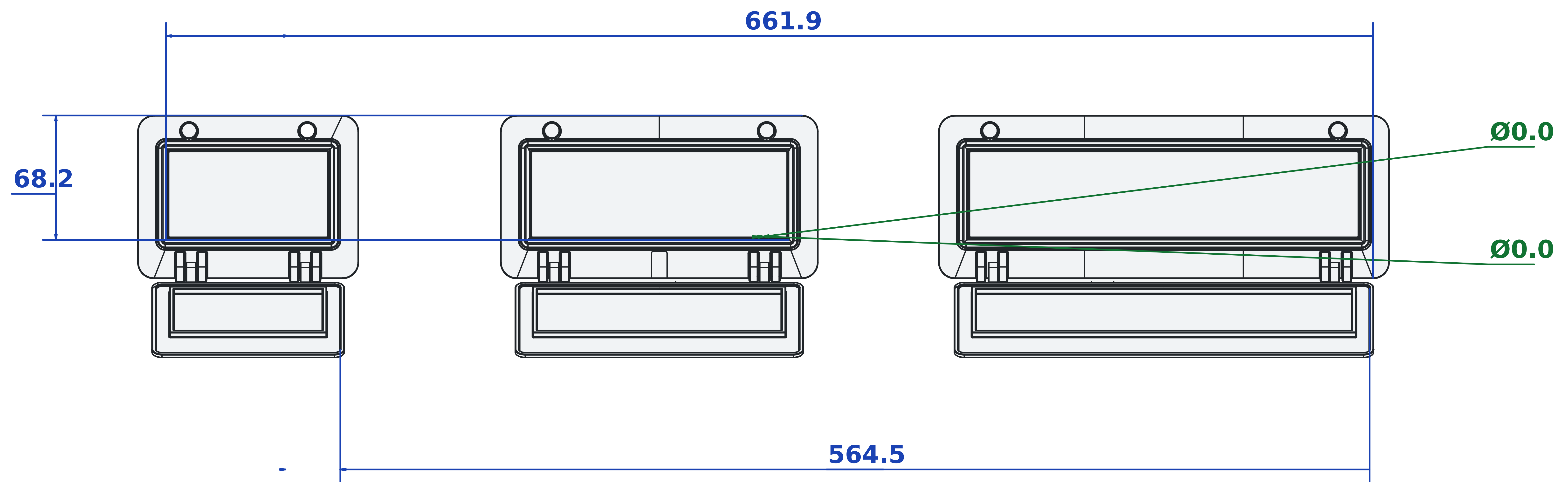
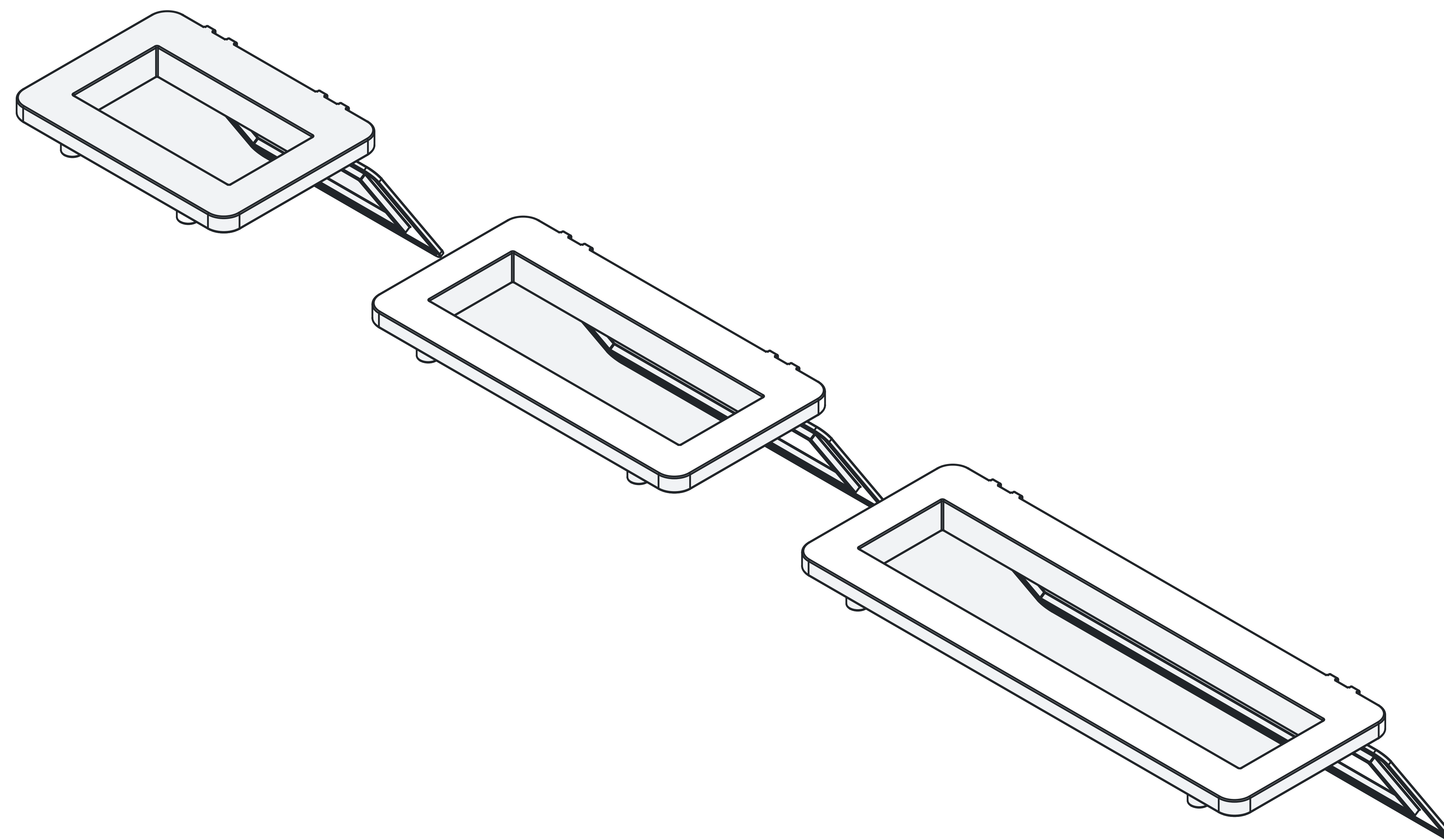


25.8

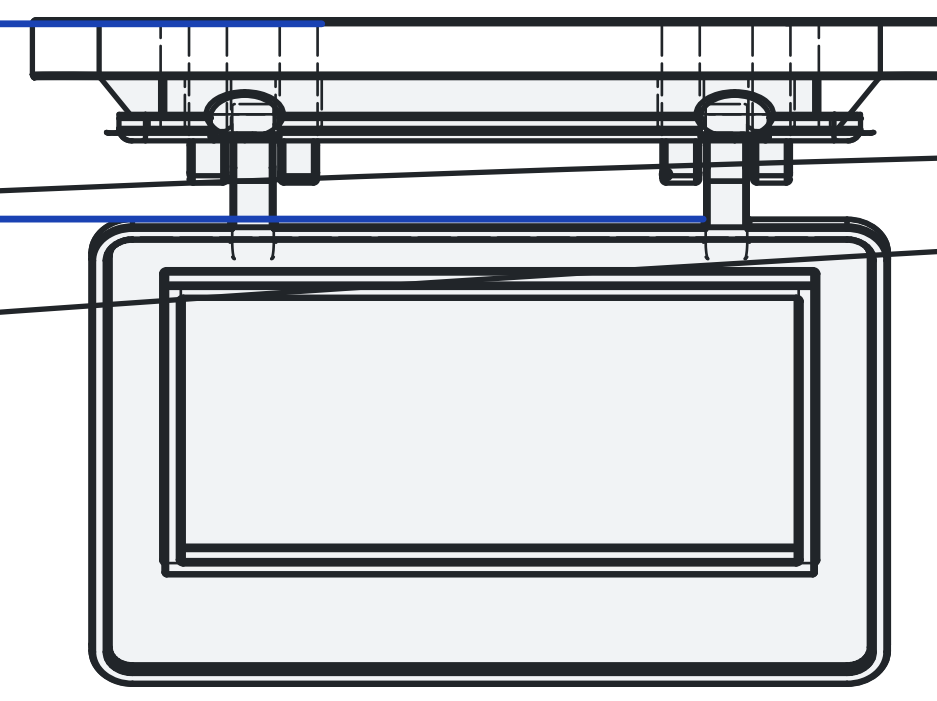


Ø3.9

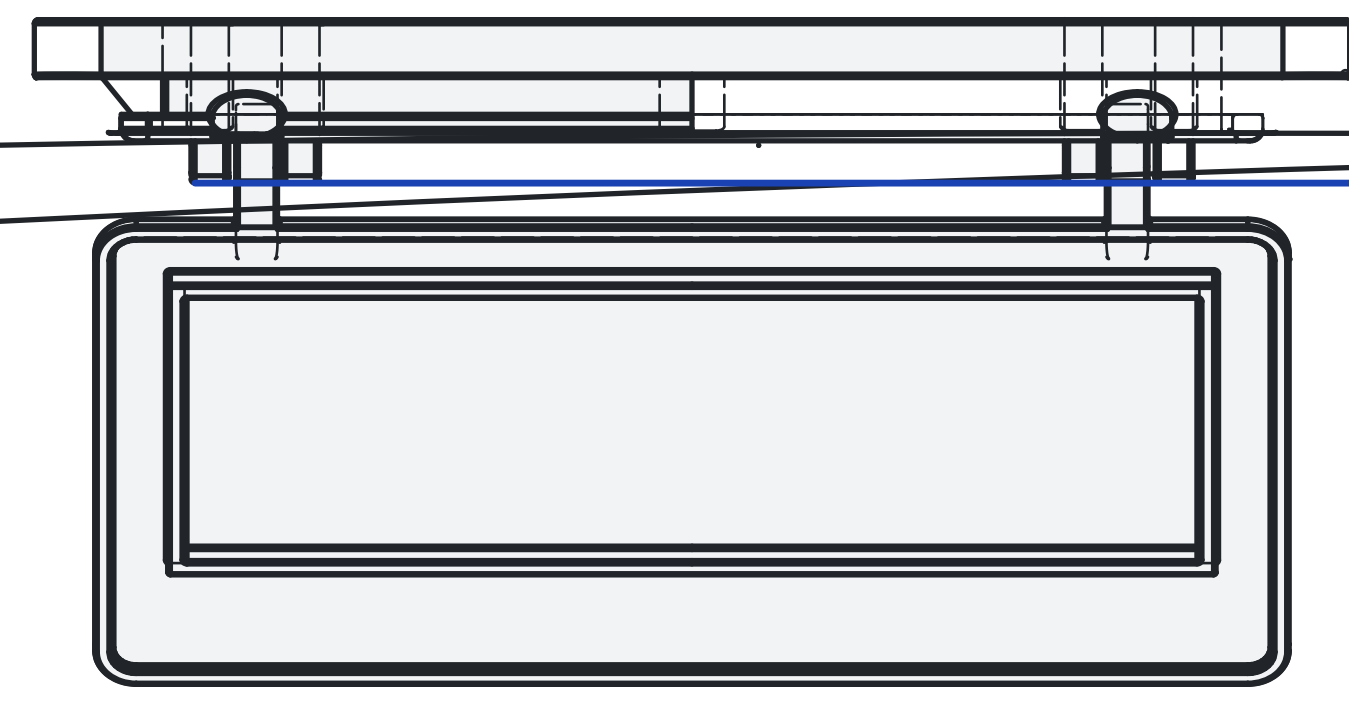




25.8



!



7.1

